

1 2 3 4 5 6 7 8

A

A

B

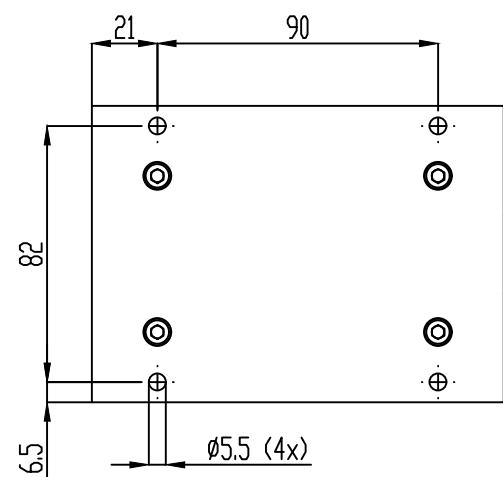
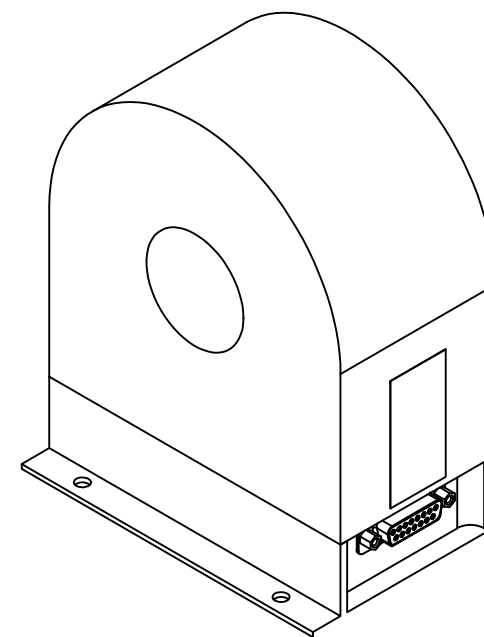
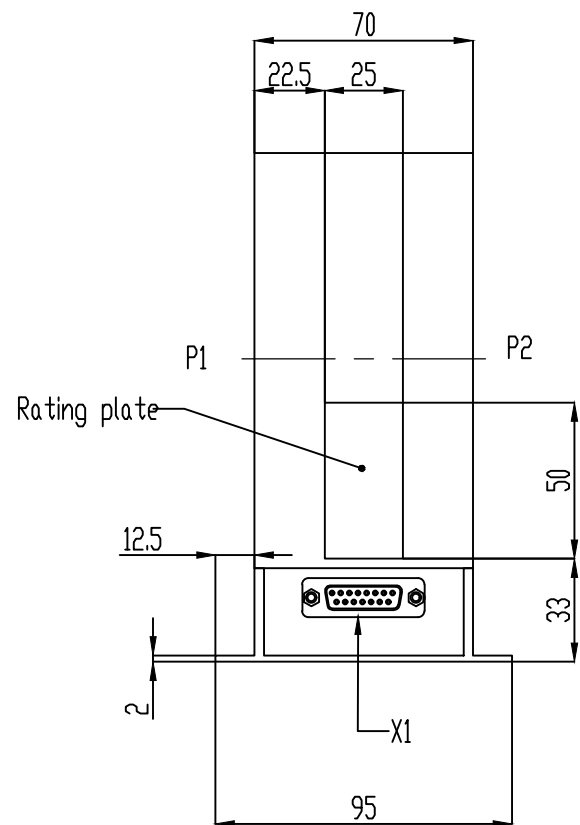
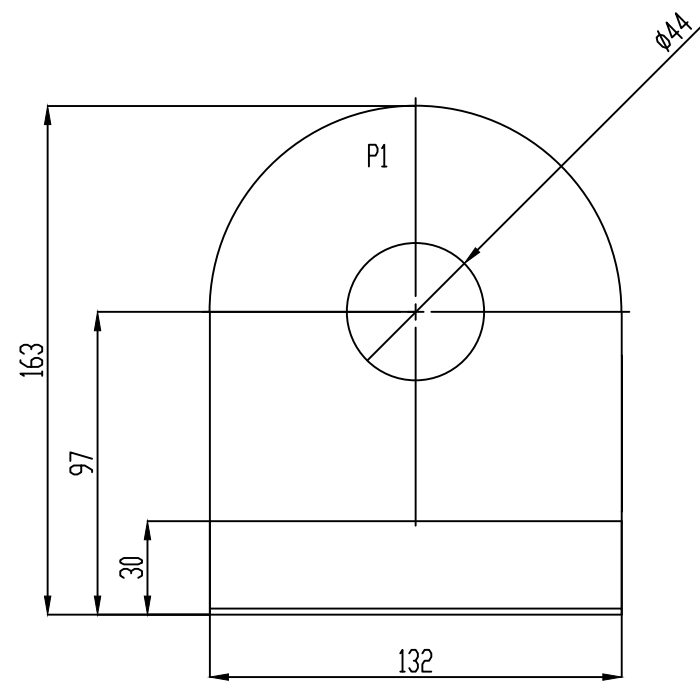
B

C

C


D

D

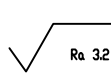
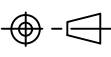


Tolerance $\pm 1\text{mm}$

Rev	Description	Date	By
0	First issue	2017-12-20	TSN
1	Tolerance added	2020-03-18	MUK


PM SPECIAL MEASURING SYSTEMS
 A Phoenix Mecano Company

Euregloweg 330B
 7532SN Enschede
 The Netherlands
 +31 (0)53 7400740
 www.pn-sns.com

Drawing No.	MH09-DRW-yy-nav-02		
Title	Dimensional Drawing MH09C		
Order			
Project			
Drawn by	TSN	Date	20/12/2017
Checked by	WSR	Date	20/12/2017
Size	A3	Status	RELEASED
Scale	1:2	Revision	1
Sheet	1 / 1		

1 2 3 4 5 6 7 8