

1

2

3

4

5

6

7

8

A

B

C

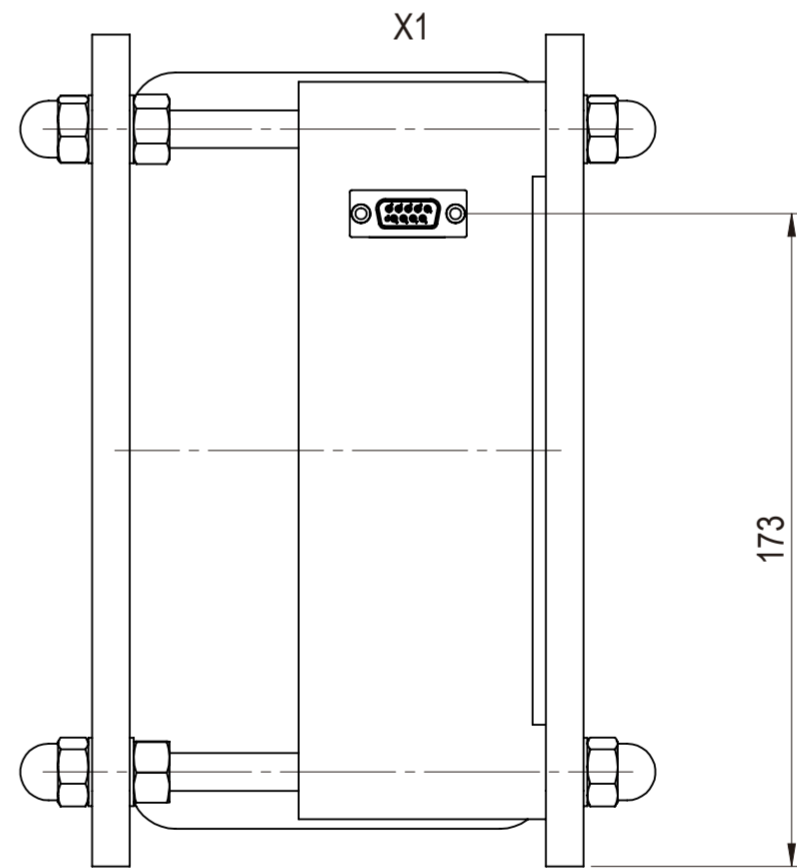
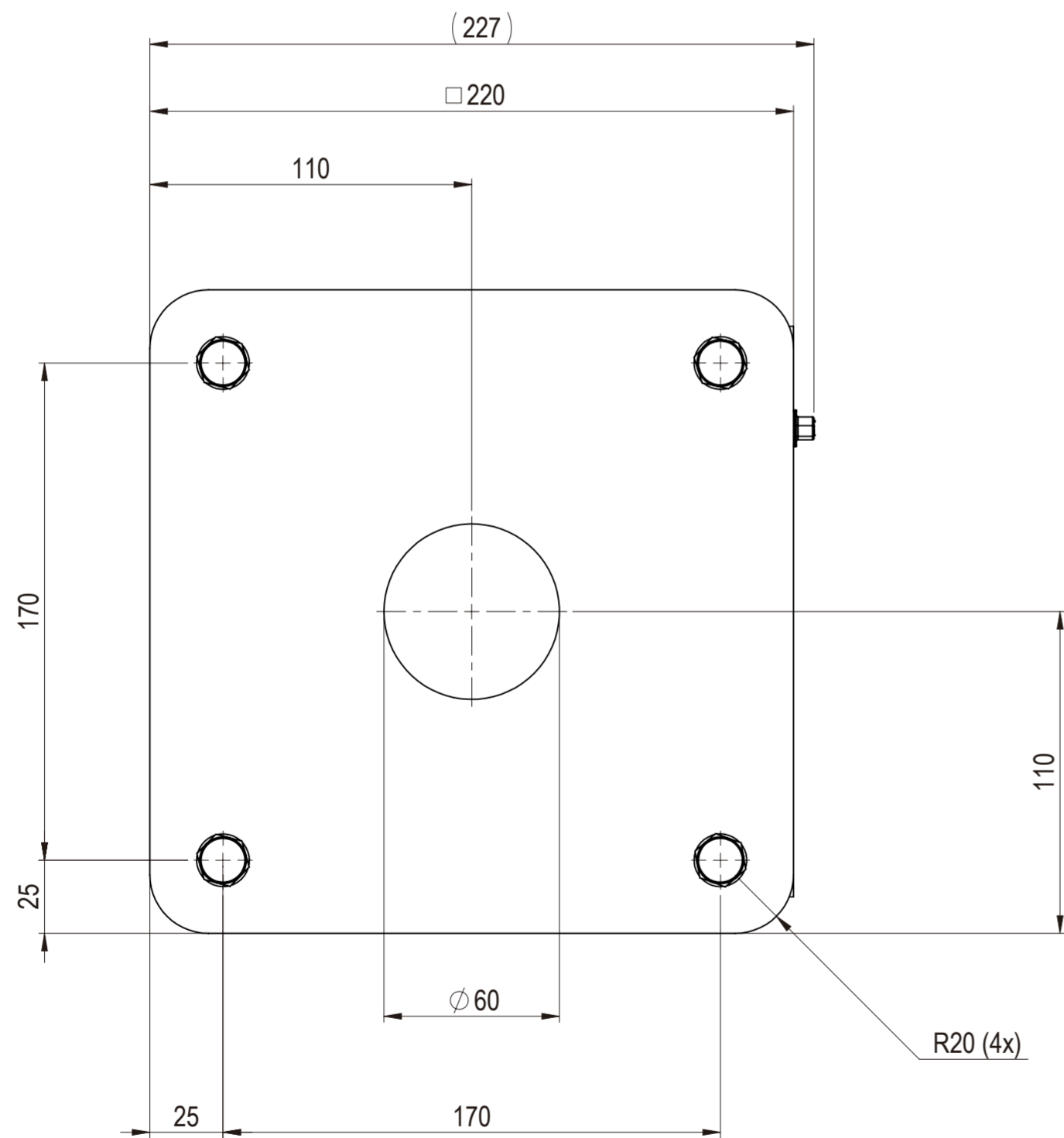
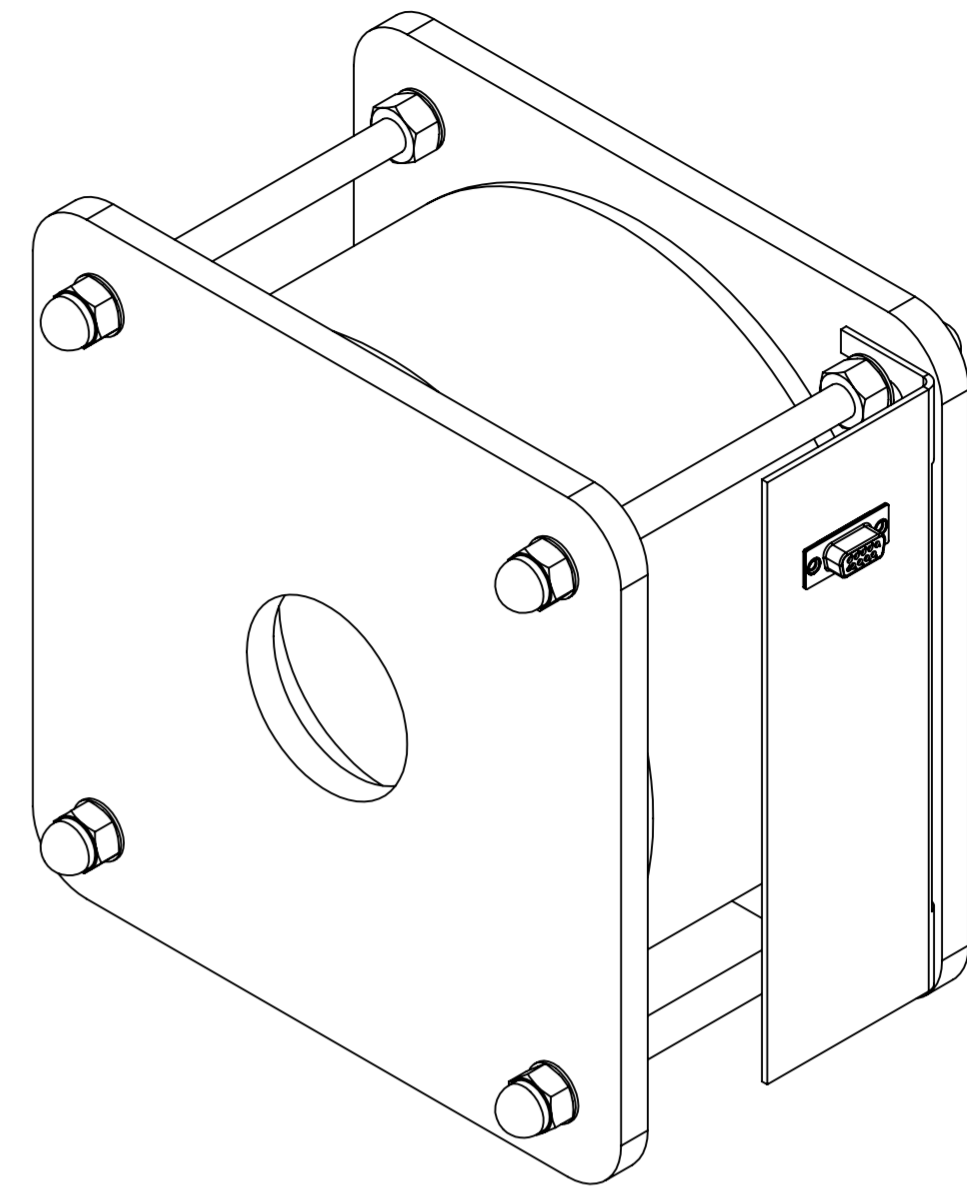
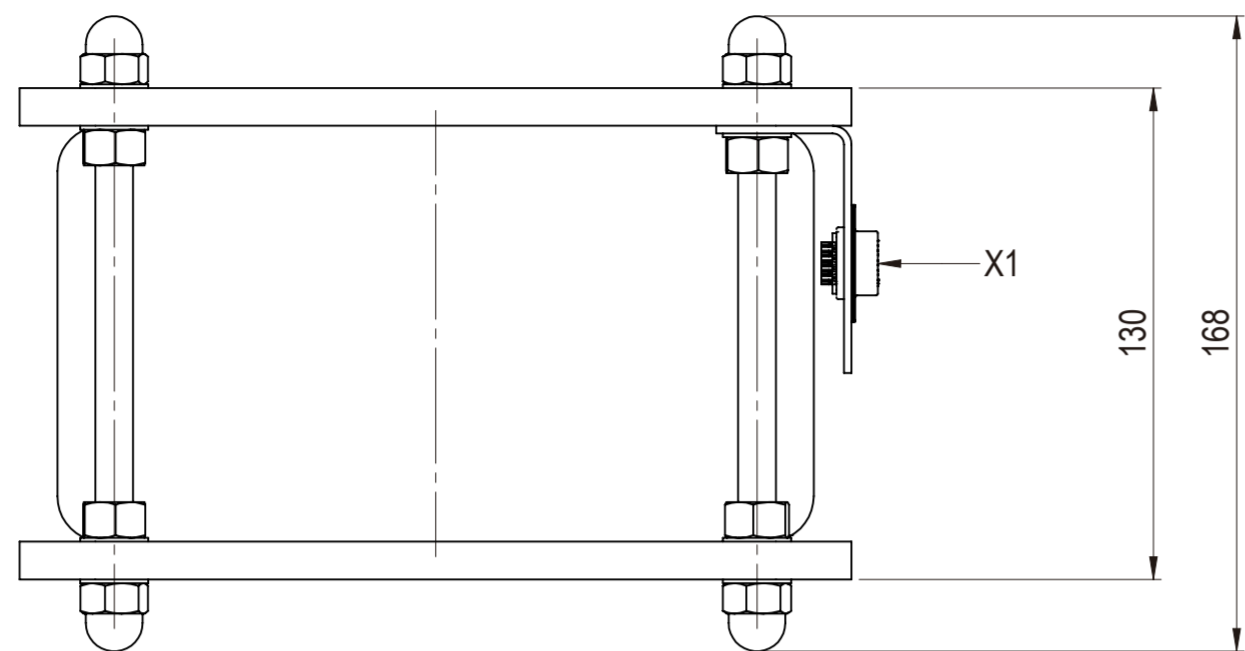
D

E


F

G

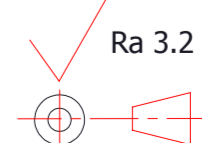
H



Rev	Description	Date	By
0	First design	19-12-2017	TSN

  
**PM SPECIAL MEASURING SYSTEMS**  
 A Phoenix Mecano Company

Euregioweg 330B  
 7532SN Enschede  
 The Netherlands  
 +31 (0)53 7400740  
 www.pm-sms.com

 Ra 3.2

Drawing No.	
Title	Dimensional drawing Measuring head MH16P
Order Project	
Drawn by	TSN
Date	19/12
Checked by	WSR
Date	19/12
Size	A2
Status	RELEASED
Scale	1:5
Revision	0
Sheet	1 / 1

1

2

3

4

5

6

7

8

A

B

C

D

E

F

G

H