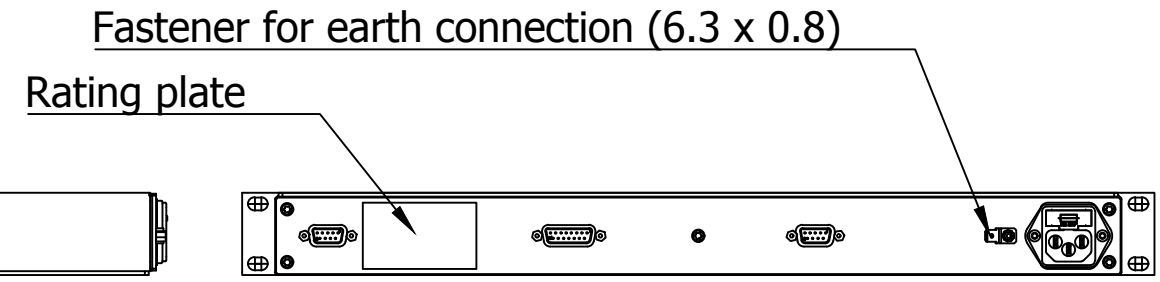
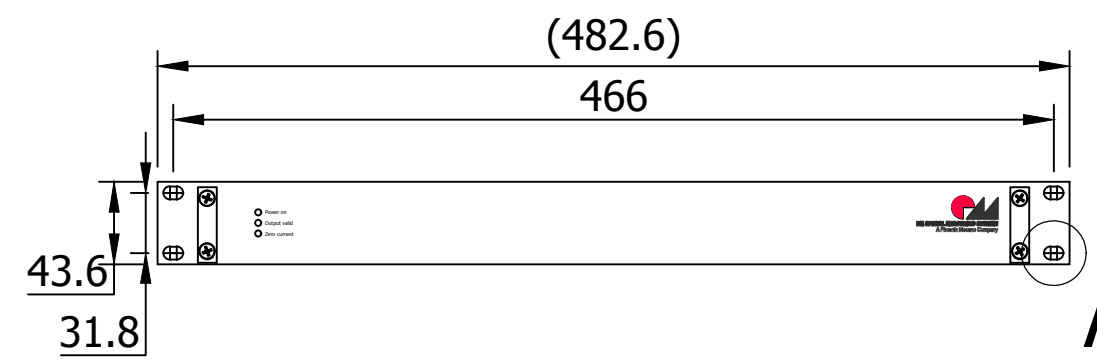
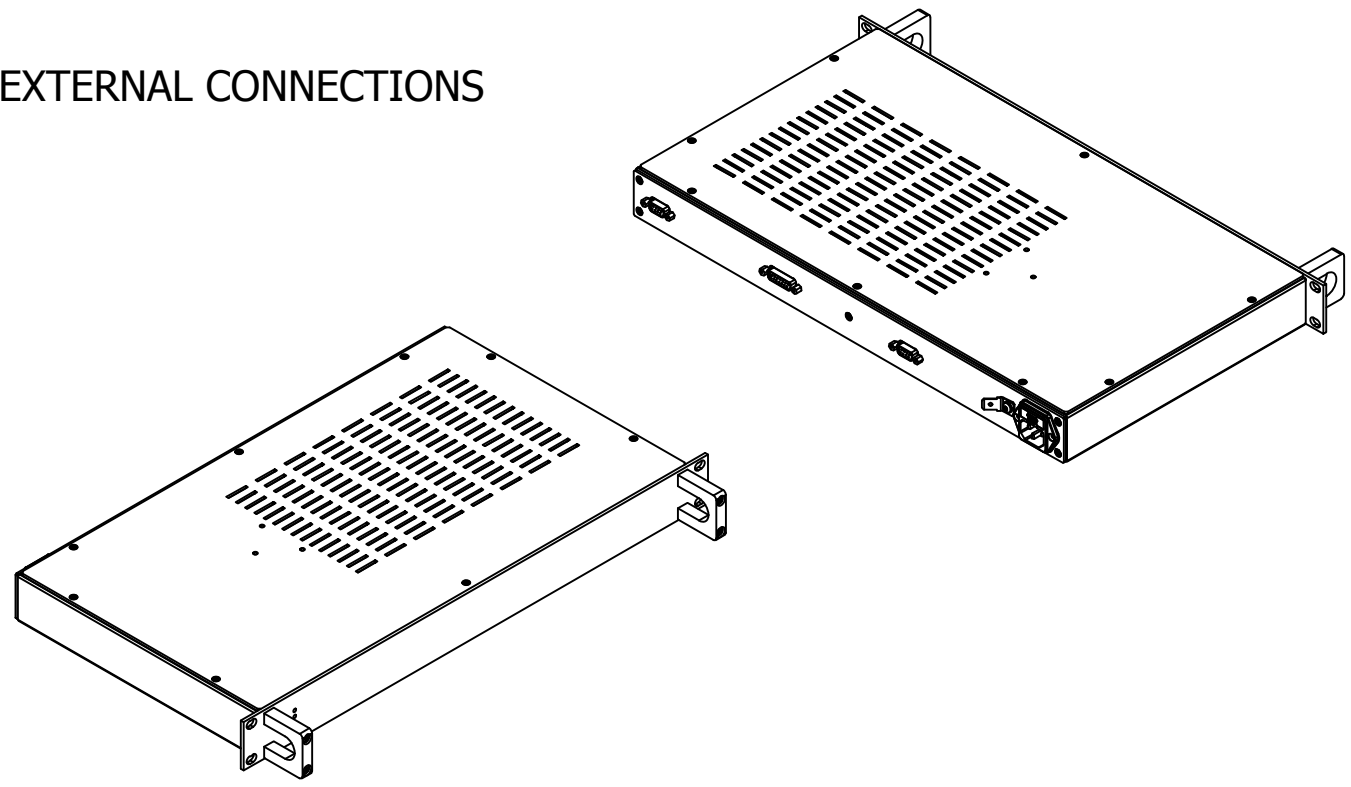
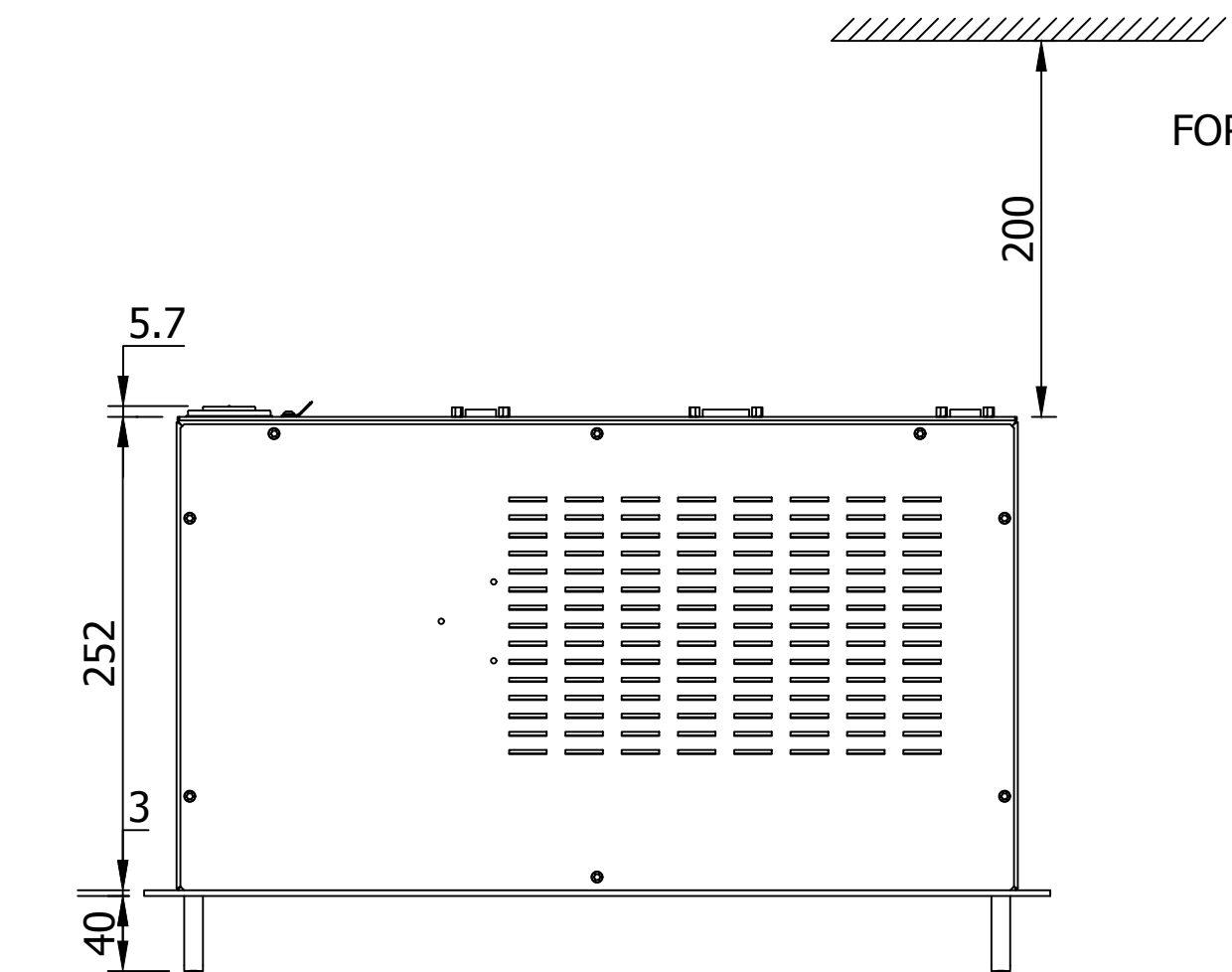


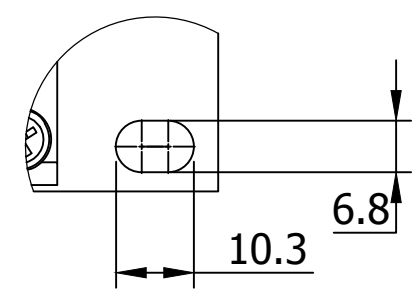
1 2 3 4 5 6 7 8

A
B
C
D
E
F

FOR EXTERNAL CONNECTIONS




Detail A



Scale 1 : 1

Mass: Approx. 4 kg

Rev	Description	Date	By				
4	Housing make Bopla	19-03-2019	RMK	Drawing No.	ZF06.265.02		
				Title	Zero-flux Current Transformer Dimensional drawing EM CURACC, STACC & TOPACC		
				Order	-		
				Project	-		
				Drawn by	R.M.Klomp	Date	2019-03-19
				Checked by	J.Wolbert	Date	2019-03-20
				General tolerancing acc.	ISO 2768-c		
				Roughness according	ISO 1302 : 2002		
				General Roughness	√Ra 3.2		
				Geometrical product	specifications acc. ISO 110		
				Size	A3	Status	RELEASED
				Scale	1 : 4	Revision	4
				Sheet	1 / 1		

PM Special Measuring Systems B.V.
Euregloweg 330B
7532 SN ENSCHEDE
THE NETHERLANDS
+31 (0)53 7400740
www.pm-sms.com

